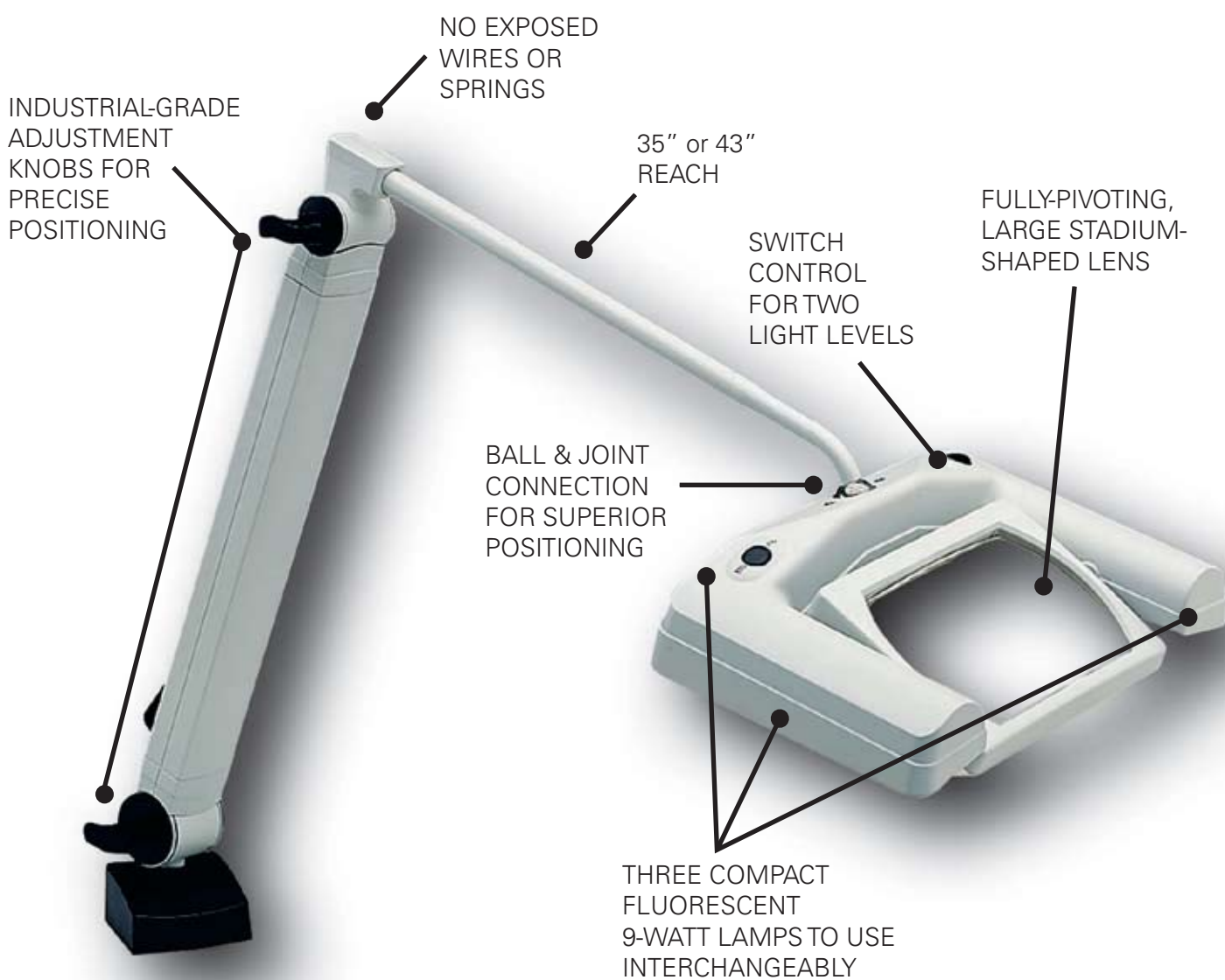


OMNIVUE® MAGNIFIER SERIES AND WORK STATION LUMINAIRES

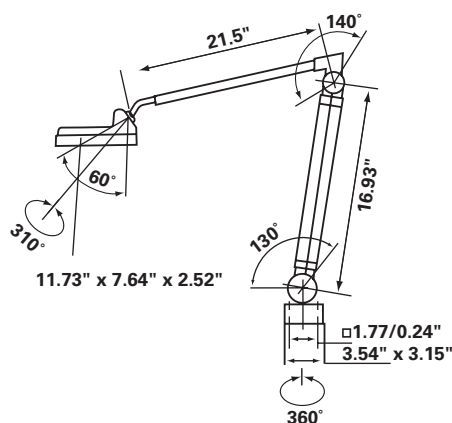
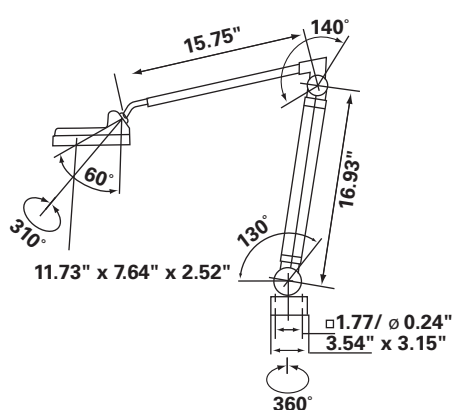
DURABLE AND EASY TO MAINTAIN, THE OMNIVUE AND OMNIVUEMAX (35" AND 43" REACH) MAGNIFIERS ARE THE MOST UNIQUE IN THE INDUSTRY. BACK STRAIN AND FATIGUE ARE MINIMIZED DUE TO THE LARGE STADIUM-STYLE LENS THAT PIVOTS INDEPENDENTLY FROM THE LIGHT SOURCE, ALLOWING PRECISE POSITIONING FROM EVERY ANGLE. THESE MAGNIFIERS ARE PERFECT FOR INSPECTIONS AND ASSEMBLIES. ALSO AVAILABLE IN ESD-SAFE VERSIONS.



OMNIVUE® MAGNIFIER SERIES AND WORK STATION LUMINAIRES

OMNIVUE® 35" REACH

OMNIVUE® 43" REACH



OPTICAL CLIP-ON MAGNIFIERS AND WORK STATION LUMINAIRES ALSO AVAILABLE



9 W. Century Drive
 Wheeling, IL 60090
 800.634.0007
 Fax: 847.520.1730
 www.waldmann.com