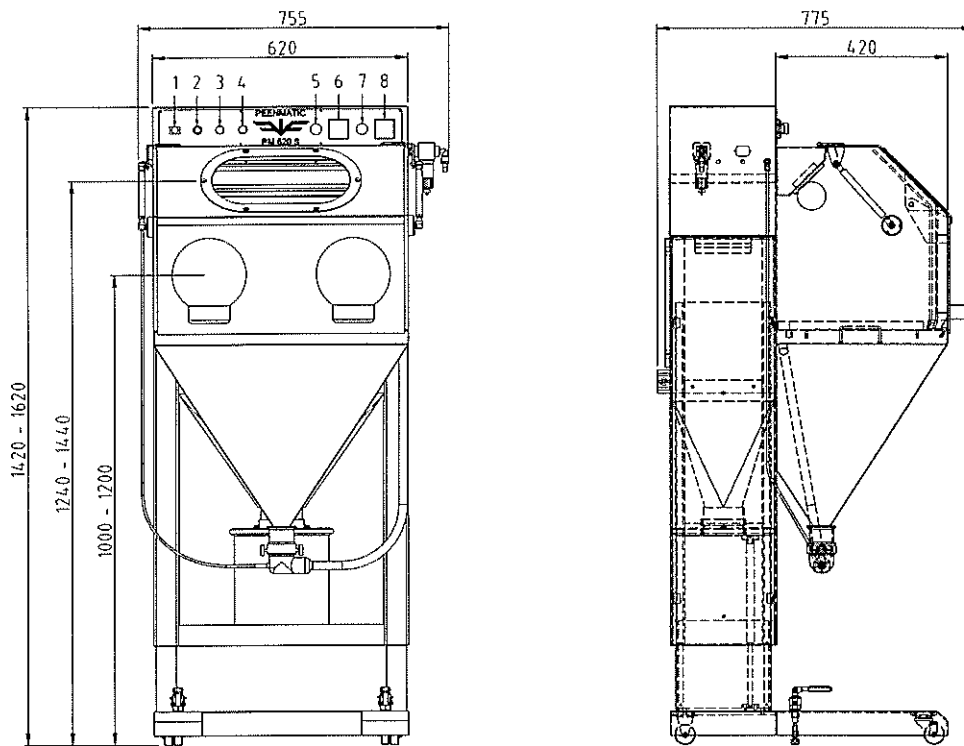


Technical Data PEENMATIC 620 S



Legend

- Pos. 1 Main switch
- Pos. 2 Control safety
- Pos. 3 Potentiometer for ventilator
- Pos. 4 Potentiometer for microblasting-agent drying system
- Pos. 5 Pressure control for moving injector
- Pos. 6 Manometer for moving injector
- Pos. 7 Pressure control for microblasting pistol
- Pos. 8 Manometer for microblasting pistol

Usable space

B 550 x T 350 x H 400
Optimal for surface treatment of work pieces with dimensions of width 400 x depth 350 x height 200 mm

Operating voltage

230 V / 50 Hz

Power consumption

190 W

Control safety

4 AT

Compressed-air connection

On the side of the building 1/2" G
On the side of the equipment 1/4" G
Pressure 0 - 10 bar

Sound level

58 dB(A) without microblasting
65 dB(A) with microblasting at 3 bar

Weight

150 kg

All data are given without liability on our part. We reserve the right to modify constructional design at any time.